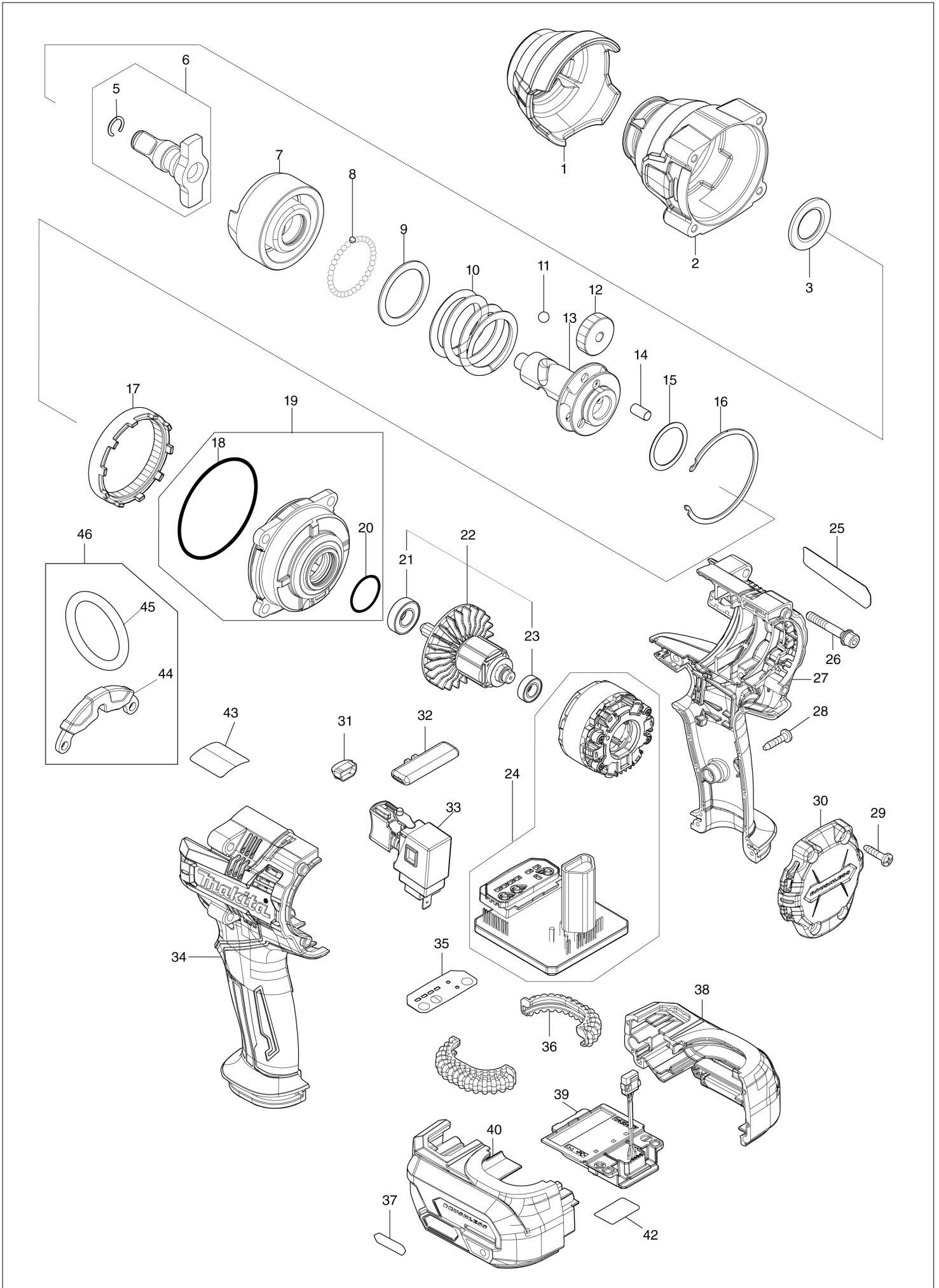


(IN) TW007G / CORDLESS IMPACT WRENCH



IN

INDIA

TW007G / CORDLESS IMPACT WRENCH

| Item | Sub | Parts No. | Parts Description | Qty | I/C | E/C No. | Close No. | Remark |
|-------|-----|-----------|--------------------------------|-----|-----|---------|-----------|--------|
| 001 | | 422709-8 | BUMPER | 1 | | | | |
| 002 | | 141A99-3 | HAMMER CASE COMPLETE | 1 | | | | |
| 003 | | 253481-9 | FLAT WASHER 20 | 1 | | | | |
| 005 | | 231907-1 | RING SPRING 10 | 1 | | | | |
| 006 | | 136410-6 | ANVIL E ASSY | 1 | | | | |
| | D10 | | INC. 5 | | | | | |
| 007 | | 327804-8 | HAMMER | 1 | | | | |
| 008 | | 216001-0 | STEEL BALL 3.5 | 33 | | | | |
| 009 | | 267340-1 | FLAT WASHER 32 | 1 | | | | |
| 010 | | 232708-0 | COMPRESSION SPRING 34 | 1 | | | | |
| 011 | | 216007-8 | STEEL BALL 6.4 | 2 | | | | |
| 012 | | 227891-6 | SPUR GEAR 28 | 3 | | | | |
| 013 | | 327805-6 | SPINDLE | 1 | | | | |
| 014 | | 256211-7 | PIN 6 | 3 | | | | |
| 015 | | 267494-4 | FLAT WASHER 25 | 1 | | | D9063 | |
| 015-1 | | 267127-1 | FLAT WASHER 26 | 1 | O | D9063 | | |
| 016 | | 347832-7 | RETAINER | 1 | | | | |
| 017 | | 227892-4 | INTERNAL SPUR GEAR 65 | 1 | | | | |
| 018 | | 213709-7 | O RING 63 | 1 | | | | |
| 019 | | 136420-3 | INTERNAL GEAR CASE ASSY | 1 | | | | |
| | D10 | | INC. 18,20 | | | | | |
| 020 | | 213961-7 | O RING 22 | 1 | | | | |
| 021 | | 210069-8 | BALL BEARING 6900DDW | 1 | | | | |
| 022 | | 519691-1 | ROTOR ASSY | 1 | | | | |
| | D10 | | INC. 21,23 | | | | | |
| 023 | | 210261-6 | BALL BEARING 688LLB | 1 | | | | |
| 024 | | 629A72-8 | STATOR COMPLETE | 1 | | | | |
| 025 | | 811F51-2 | TW007G NAME PLATE | 1 | | | | |
| 026 | | 251476-6 | H.S.H.BOLT M5X35 WITH WR | 4 | | | | |
| 027 | | 183S74-1 | HOUSING SET | 1 | | | | |
| | D10 | | INC. 34 | | | | | |
| 028 | | 266326-2 | TAPPING SCREW 4X18 | 7 | | | | |
| 029 | | 266326-2 | TAPPING SCREW 4X18 | 4 | | | | |
| 030 | | 413602-7 | REAR COVER | 1 | | | | |
| 031 | | 620F48-8 | LED CIRCUIT | 1 | | | | |
| 032 | | 413603-5 | F/R CHANGE LEVER | 1 | | | | |
| 033 | | 140U03-9 | SWITCH COMPLETE | 1 | | | | |
| | C10 | 424774-3 | SWITCH COVER | 1 | | | | |
| 034 | | 183S74-1 | HOUSING SET | 1 | | | | |
| | D10 | | INC. 27 | | | | | |
| 035 | | 8012S9-8 | SWITCH LABEL | 1 | | | | |
| 036 | | 424773-5 | CUSHION RUBBER | 2 | | | | |
| 037 | | 8005T5-8 | XGT LOGO LABEL | 1 | | | | |
| 038 | | 183S77-5 | BATTERY HOUSING SET | 1 | | | | |
| | C10 | 263005-3 | RUBBER PIN 6 | 2 | | | | |
| | C20 | 252126-6 | HEX. LOCK NUT M4-7 | 2 | | | | |
| | D10 | | INC. 40 | | | | | |
| 039 | | 632R99-1 | TERMINAL UNIT | 1 | | | | |
| 040 | | 183S77-5 | BATTERY HOUSING SET | 1 | | | | |
| | C10 | 263005-3 | RUBBER PIN 6 | 2 | | | | |
| | C20 | 252126-6 | HEX. LOCK NUT M4-7 | 2 | | | | |
| | D10 | | INC. 38 | | | | | |
| 042 | | 811F57-0 | TW007G SERIAL NO. LABEL | 1 | | | | |
| A01 | | 251314-2 | + SCREW M4X12 | 1 | | | | |
| A02 | | 346949-3 | HOOK | 1 | | | | |
| A03B | | 821551-8 | CONNECTOR PLASTIC CASE (TYPE3) | 1 | | | | |
| | C10 | 453974-8 | LATCH | 4 | | | | |
| A03C | | 821551-8 | CONNECTOR PLASTIC CASE (TYPE3) | 1 | | | | |
| | C10 | 453974-8 | LATCH | 4 | | | | |
| A04B | | 835K85-1 | INNER TRAY | 1 | | | | |
| A04C | | 835K85-1 | INNER TRAY | 1 | | | | |
| A05B | | 8033G0-4 | TW007GD201 INDICATION LABEL | 1 | | | | |
| A06B | | 8033G1-2 | TW007GD201 PLASTIC CASE LABEL | 2 | | | | |
| A07B | | 412393-7 | BATTERY COVER | 1 | | | | |
| A07C | | 412393-7 | BATTERY COVER | 2 | | | DA630 | |

B:TW007GD201(H)
C:TW007GM201(H)

Interchange

O : Yes

X : No

< : the new part can be substituted for the current.

> : the current part can be substituted for the new.

S : Interchangeable as a set.

